



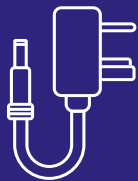
Welcome to Onestream

A QUICKSTART GUIDE

In the box



Your router



Power supply



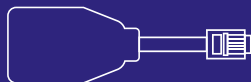
Ethernet cable



Router/DSL cable



Microfilter

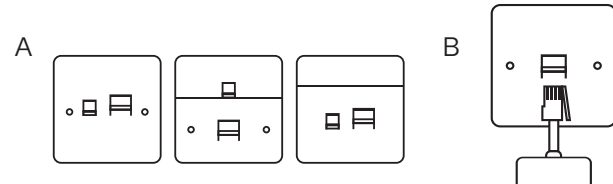


Digital Voice Adaptor

How to connect your router

IMPORTANT! Before you start...

If possible try and connect your new router to the master telephone socket (that's the one where your line comes into the building).



If your socket has two ports (Diagram A) you can connect the router/DSL cable directly to the smaller port. There's no need to use a microfilter (go to step 1).

If your socket has one port (Diagram B) you must use a microfilter. Please use the microfilter provided with your router by Onestream.

Now, connect one end of the router/DSL cable to the port on the microfilter labelled Modem.

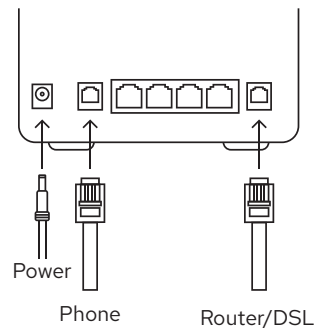
① Connect the other end of the router/DSL cable to the port on your router labelled DSL.

② Plug the power supply into an ordinary electrical outlet and switch on.

Plug the small pin of the power supply into your router.

Switch on the router by pushing the black ON/OFF button on the back of the unit.

③ Onestream will now try to connect to your router. If you don't have Digital Voice, four lights will appear once connected. If you do have Digital Voice, five lights plus a phone light will appear once connected.



Connecting your devices

WIFI

You'll find the name of your Onestream personal network and the password on the base of your router.

- ① Enable Wireless Connection on your device.
- ② Open the Wireless Connection settings – this will list all wireless networks within reach.
- ③ Select your personal Onestream wireless network and enter the password when asked (both of which are on the router). For best performance, we recommend connecting to the 5GHz band, which will include **_5G** at the end of the network name.

WIRED CONNECTION

Sometimes connecting a device directly to your router will increase speed and/or stability. To do this:

- ① Plug an Ethernet cable into any of the yellow/orange ports on the back of your router.
- ② Plug the other end into your device.

IF YOU HAVE DIGITAL VOICE (PHONELINE+)

Plug your analogue telephone into the green port on the back of the router labelled Phone. If your telephone doesn't fit in this port, please use the Digital Voice adaptor included in your router box.

Help and Support

If you run into a problem setting up your router or connecting to the internet, visit our help centre at onestream.co.uk/help